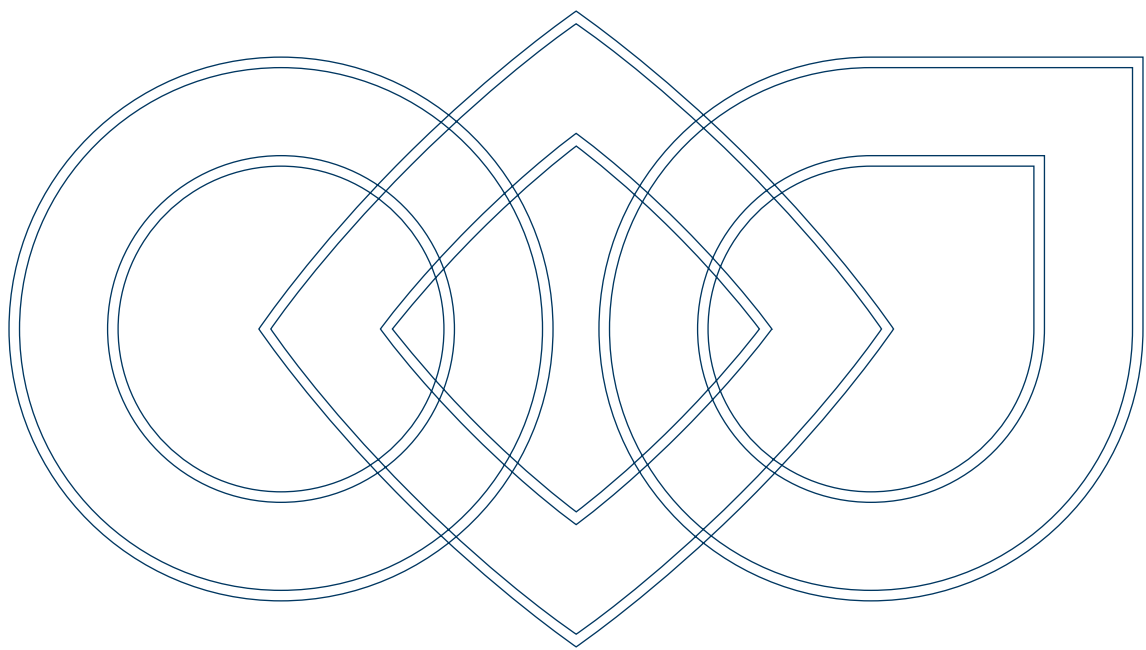


Bonfiglioli *Forever Forward*

Solutions for **Excavators**



APPLICATION



Solutions for **Earth Moving**



Bonfiglioli, with the broad and diversified Bonfiglioli Trasmital and Bonfiglioli O&K Antriebstechnik product ranges, can fully meet the specifications of construction machinery manufacturers. With a specific range of gear units featuring axial pistons hydraulic motors, Bonfiglioli offers dedicated solutions for mini-excavators. These are suitable for machines weighing anywhere from 1.5 to 400 tons.

These products are the result of a partnership with Kayaba Industries CO. and Poclain Hydraulics, a leading manufacturer of hydraulic components.

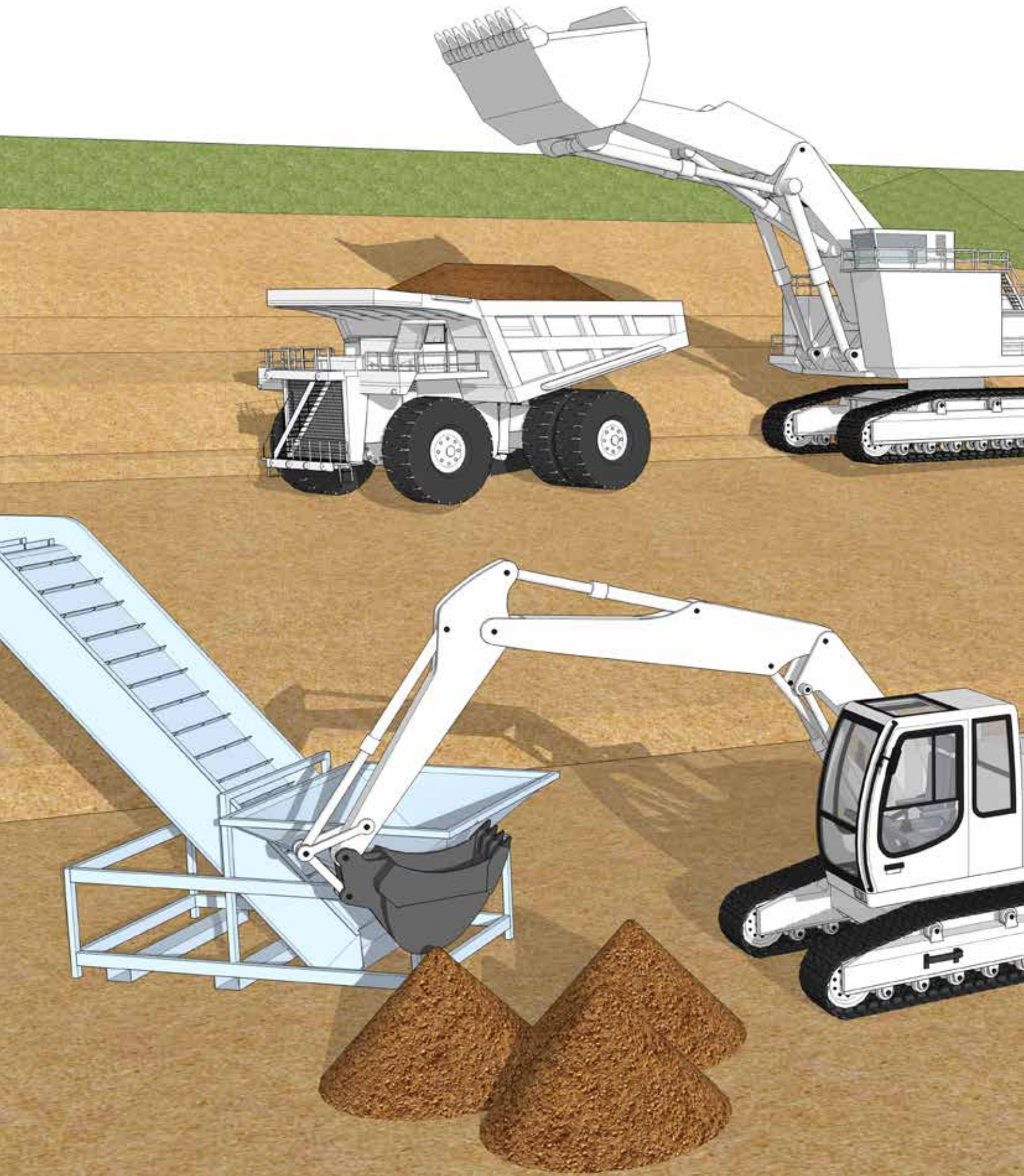
All the hydraulic and mechanical functions are incorporated into a single unit: powerdrive, operating and travel speed, hydraulic and mechanical emergency braking and overload prevention. The unit assures high reliability and excellent performance, smoothness in operation and also, due to its compact dimensions, very easy and economical installation on board of machines.

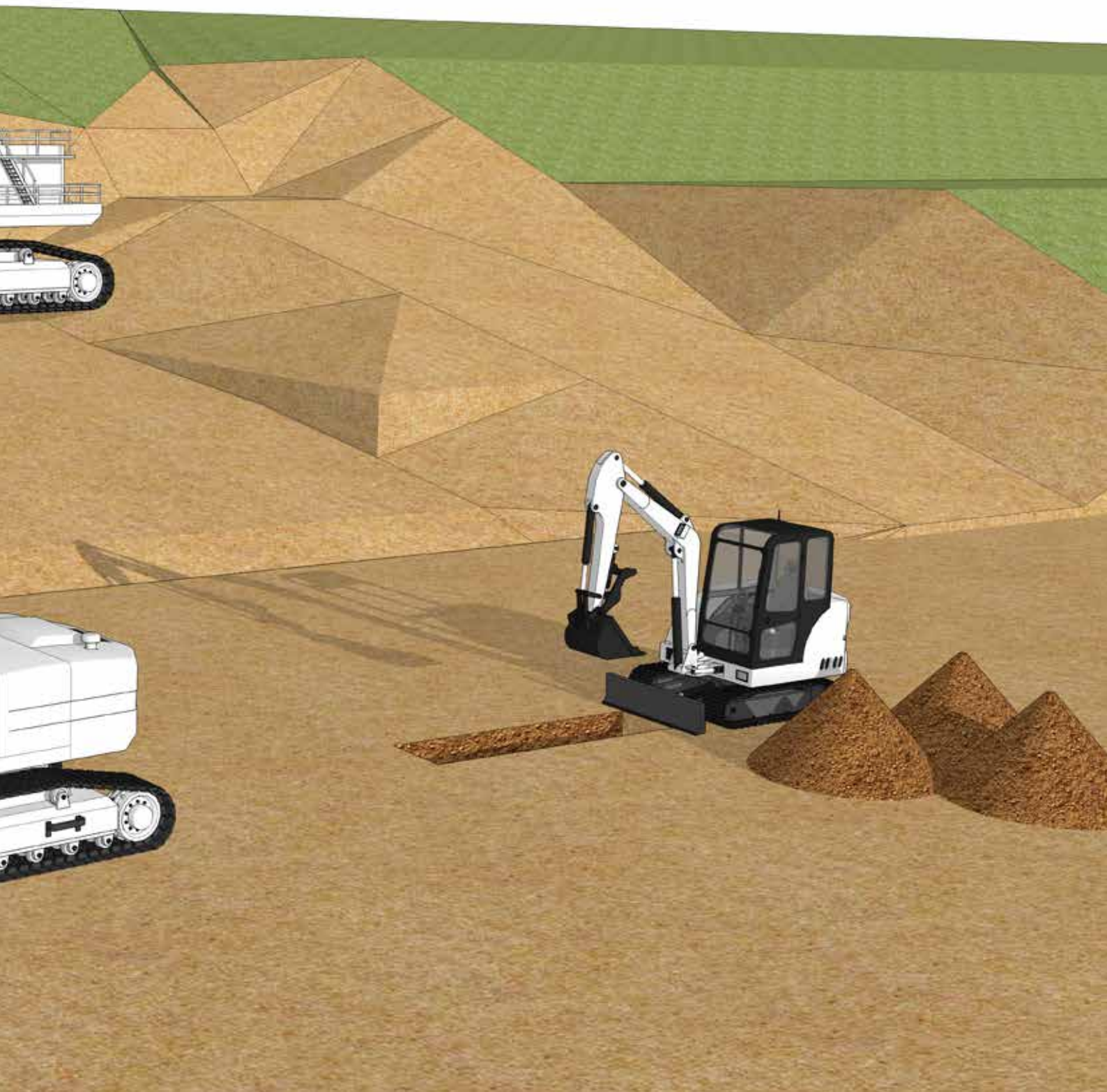
A vast range of customised solutions and extensive expertise in the industry, make Bonfiglioli the ideal partner for all manufacturers of construction machinery.



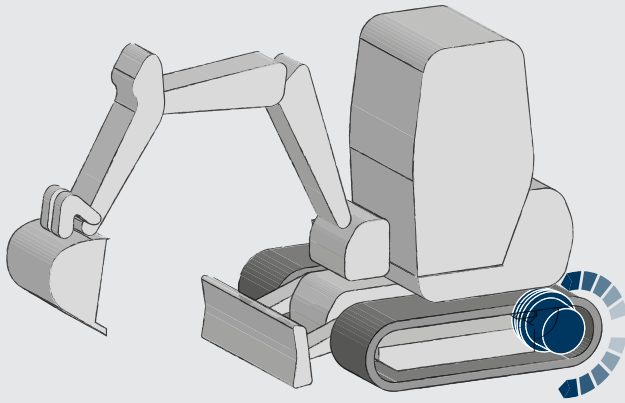
Bonfiglioli Earth Moving

Drives for miniexcavators and excavators





Track drive for miniexcavators from 1 to 6 tons.



700CK

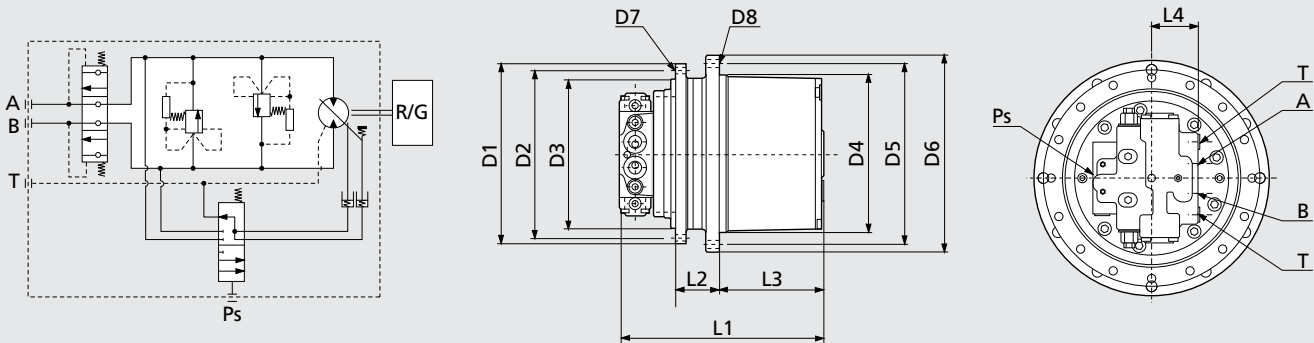
Track drive gearmotors

Extreme compactness, lightweight, efficiency and smooth operation are the key features of the 700CK series track drives, powered by integrated axial piston hydraulic motors, developed in cooperation with KAYABA.

Type	Output torque (Nm)
700 C2 K	1200
700-2C2 K	1900
701 C2 K	2500
702 C2 K	3500
704 C2 K	5000

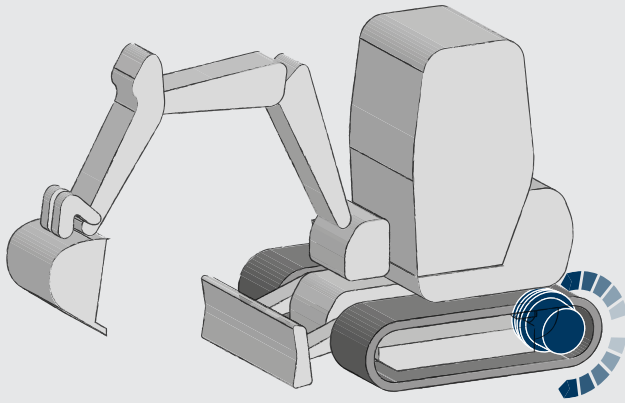


TYPE	RATIOS	MOTOR DISPLACEMENT min/max	MAX PRESSURE	MAX OIL FLOW	WEIGHT	APPROX. WEIGHT OF MACHINE
	1:	cc/rev	bar	l/min	kg	ton
700 C2 K	32-34-37	12.46 / 5.77	200 ÷ 220	10 ÷ 18	20	up to 1.5
700-2C2 K	36	18.8 / 9.7	200 ÷ 225	20 ÷ 30	25	1.5 ÷ 2
701 C2 K	41-48-53	18.8 / 9.7	200 ÷ 225	30 ÷ 40	25	2 ÷ 3
702 C2 K	41-48	26.3 / 13.4	200 ÷ 225	30 ÷ 45	35	3 ÷ 4
704 C2 K	41-46-48	33.8 / 16.9	215 ÷ 245	40 ÷ 60	60	4 ÷ 6



TYPE	D1	D2	D3	D4	D5	D6	D7	D8	L1	L2	L3	L4	A-B	T	Ps
700 C2 K	175	155	140	140	155	175	M10x1.5 n°8	M10x1.5 n°8	202	45	93	40	1/4"	1/4"	1/4"
700-2C2 K	190	170	150	160	180	200	M10x1.5 n°8	M10x1.5 n°8	223	40	108	39	3/8"	1/4"	1/4"
701 C2 K	215	192	165	190	215	240	M12x1.75 n°9	M12x1.75 n°9	300	50	125	45	1/2"	1/4"	1/4"
702 C2 K	215	192	165	204	232	255	M12x1.75 n°9	M12x1.75 n°9	285	70	115	45	1/2"	1/4"	1/4"
704 C2 K	264	240	200	230	262	286	M14x2 n°9	M14x2 n°9	345	68	167	46	1/2"	3/8"	1/4"

Track drive for miniexcavators from 1 to 6 tons.



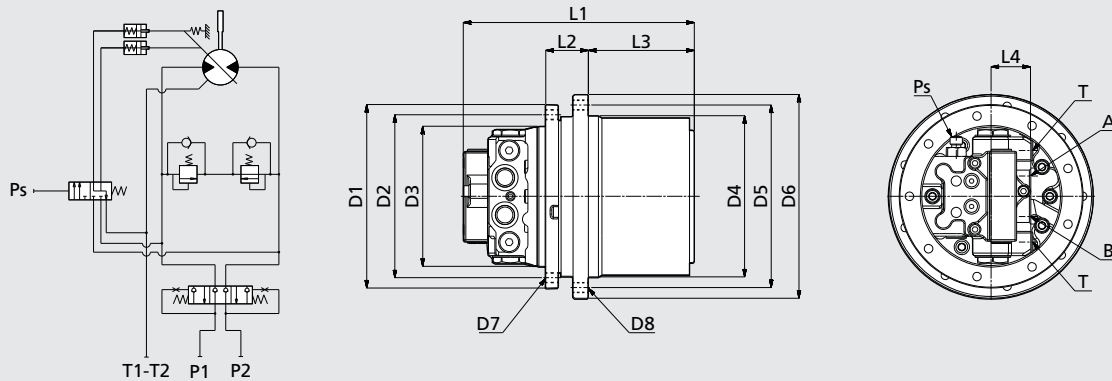
700CP (ex PGR) Track drive gearmotors

Extreme compactness, lightweight, efficiency and smooth operation are the key features of the 700CP (ex PGR) series track drives, powered by integrated axial piston hydraulic motors, developed in cooperation with POCLAIN HYDRAULICS.

Type	Output torque (Nm)
700 C2 P (ex PGR92)	1200
700-2 C2 P (ex PGR132)	1900
701 C2 P (ex PGR302)	2500
702 C2 P (ex PGR402)	3500
704 C2 P (ex PGR602)	5000



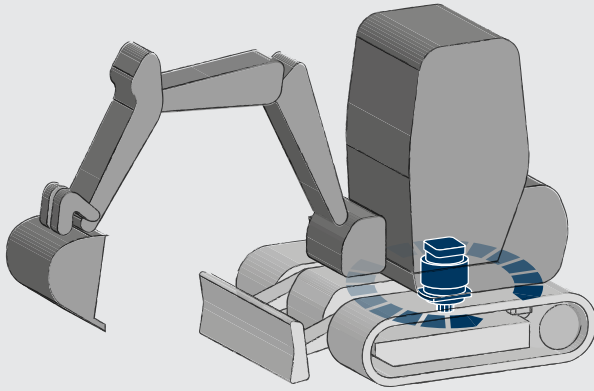
TYPE	RATIOS	MOTOR DISPLACEMENT min/max	MAX. PRESSURE	MAX. OIL FLOW	WEIGHT	APPROX. WEIGHT OF MACHINE
700 C2 P (ex PGR92)	18.5 - 26.5	14.7 / 7.7	215	25	18	up to 1.5
700-2 C2 P (ex PGR132)	18.9 - 36.8	17.85 / 7.7	230	30	24	1.5 ÷ 2
701 C2 P (ex PGR302)	31.1 - 57.5	17.85 / 7.8	250	35	36	2 ÷ 3
702 C2 P (ex PGR402)	31.1 - 57.5	29.0 / 11.8	275	50	41	3 ÷ 4
704 C2 P (ex PGR602)	30 - 55	36.4 / 16.7	275	65	60	4 ÷ 6



TYPE	D1	D2	D3	D4	D5	D6	D7	D8	L1	L2	L3	L4	A-B	T	Ps
700 C2 P (ex PGR92)	175	155	140	140	155	175	M10x1.5 n°8	M10x1.5 n°9	220	45	138	*	*	*	*
700-2 C2 P (ex PGR132)	195	175	155	160	180	200	M10x1.5 n°8	M10x1.5 n°8	250	40	108	*	*	*	*
701 C2 P M (ex PGR302)	215	192	165	204	232	255	M12x1.75 n°9	M12x1.75 n°9	277	66	119	*	*	*	*
701 C2 P K (ex PGR302)	215	192	165	190	215	239	M12x1.75 n°9	M12x1.75 n°9	277	50	119	*	*	*	*
702 C2 P (ex PGR402)	215	192	165	204	232	255	M12x1.75 n°9	M12x1.75 n°9	304	70	119	*	*	*	*
704 C2 P (ex PGR602)	264	240	200	230	262	286	M14x1.75 n°12	M14x1.75 n°12	335	68	139	*	*	*	*

* Depend on motor version

Slew drive for miniexcavators from 1 to 6 tons.



700TK Slew drive gearmotors

The 700TK series is the compact and yet powerful package for the slew drive of excavators up to approx. 6 ton class.

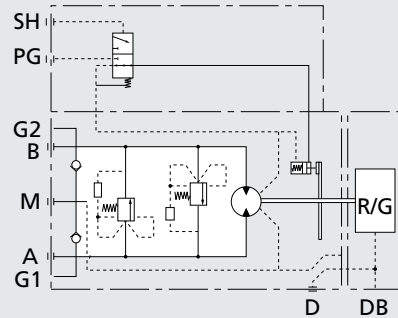
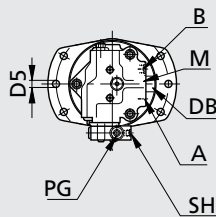
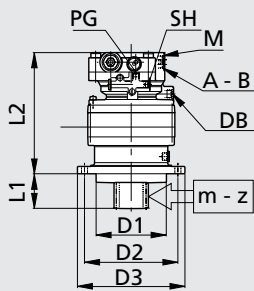
The units are powered by integrated axial piston hydraulic motors, developed in cooperation with KAYABA and can be accommodated within the smallest space.

Wide choice of drive pinions, standard or to customer specs.

Type	Output torque (Nm)	
700 T1 K	750	
701 T2 K	1200	
703 T2 K	2000	

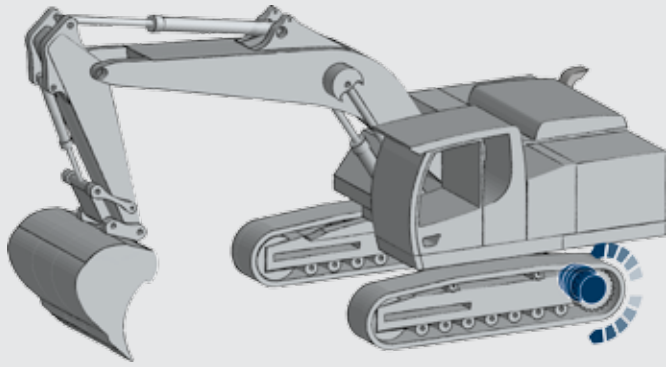


TYPE	OUTPUT TORQUE	RATIOS	MOTOR TYPE	MOTOR DISPLACEMENT	MAX PRESSURE	MAX OIL FLOW	PINION MODULE	APPROX. WEIGHT OF MACHINE
	Nm	1:	KAYABA	cc/rev	bar	l/min	mm	ton
700 T1 K	750	6.56-9.9	MSF27P (E)	25.1-27.4	120÷170	12÷20	3 - 4	up to 2
701 T1 K	1000	8.2	MSF27P (E)	22.1-26.1	150÷170	20÷30	4 - 5.5	2 ÷ 3
701 T2 K	1200	11.2-14.3-18.9-20.8	MSF27P (E)	22.1-26.1	150÷170	20÷30	4 - 5.5	2 ÷ 3
701 T2 K	1500	13.7-14.3-18.9-20.8	MSF27P (E)	20.7-26.1-27.4	170÷200	20÷45	5 - 6	3 ÷ 6
703 T2 K	2000	14.8-18.2-22.7-26	MSF27P (E)	26.1-27.4	180÷215	40÷50	6	4 ÷ 6



TYPE	D1	D2	D3	D4	D5	L1	L2	A-B	DB	M	SH	PG	m	z
700 T1 K	-	228	260	186	∅ 13 n°6	76	221	Main port	Drain port	Anticavitation port	Spool operating port	Brake release port		Data of teeth of pinion upon request
701 T2 K	175	228	260	186	∅ 13 n°6	86	256							
703 T2 K	175	245	272	244	∅ 18 n°10	120	330							

Track drive for excavators from 7 to 54 tons.



700CK

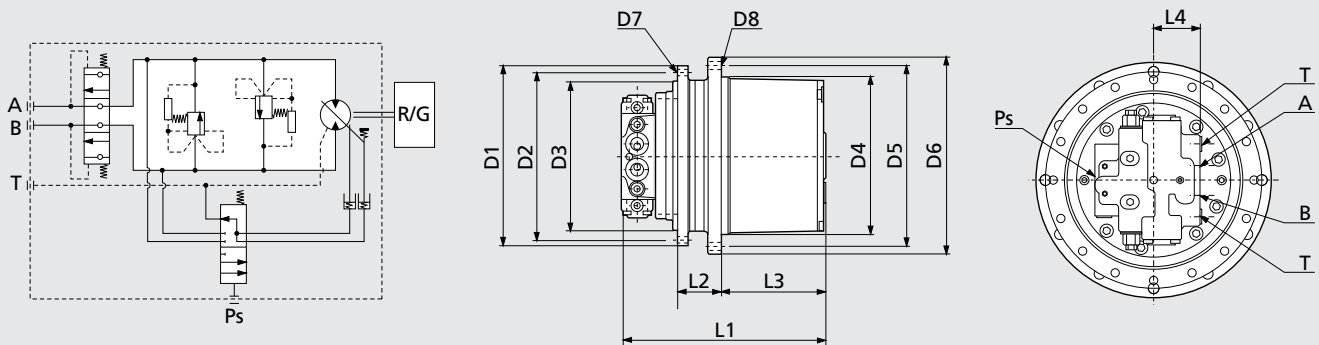
Track drive gearmotors

Extreme compactness, lightweight, efficiency and smooth operation are the key features of the 700CK series track drives, powered by integrated axial piston hydraulic motors, developed in cooperation with KAYABA.

Type	Output torque (Nm)
705 C2 K	9000
706 C3 K	18000
707 C3 K	26000
709 C3 K	30000
710 C3 K	36000
710 C2 K	40000
713 C2 K	45000
713 C3 K	60000
715 C3 K	85000

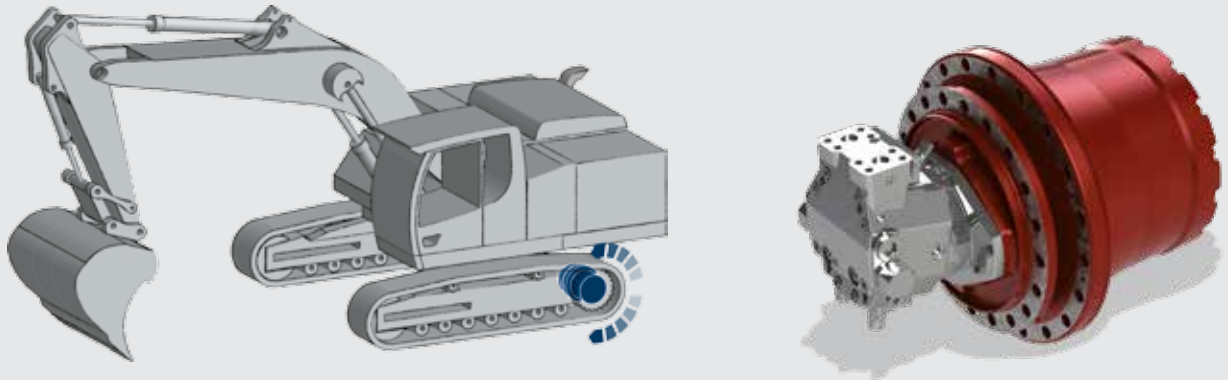


TYPE	RATIOS	MOTOR TYPE	MOTOR DISPLACEMENT	MAX PRESSURE	MAX OIL FLOW	APPROX. WEIGHT OF MACHINE
705 C2 K	48-53	MAG50VP	44	300	65 ÷ 75	6 ÷ 8
706 C3 K	68-79	MAG50VP	44	300	65 ÷ 75	8 ÷ 10
707 C3 K	40-45	MAG85VP	85	300	110 ÷ 120	10 ÷ 12
709 C3 K	53-63-69	MAG85VP	85	300	110 ÷ 160	12 ÷ 20
710 C3 K	49-69	MAG170VP	170	300	175 ÷ 240	20 ÷ 25
710 C2 K	41-44-47	MAG170VP	170	300	175 ÷ 240	20 ÷ 25
713 C2 K	55	MAG170VP	170	300	180 ÷ 230	25 ÷ 29
713 C3 K	60-68-75	MSF170VP/230VP	170-230	345	260 ÷ 310	29 ÷ 37
715 C3 K	62-82	MSF230VP/340VP	230-340	345	270 ÷ 370	37 ÷ 50



TYPE	D1	D2	D3	D4	D5	D6	D7	D8	L1	L2	L3	L4	A-B	T	Ps
705 C2 K	268	244	210	230	260	286	M14x2 n°12	M14x2 n°12	340	75	144	50	1/2"	3/8"	1/4"
706 C3 K	308	280	246	280	330	370	M16x2 n°20	M16x2 n°12	412	100	193	50	1/2"	3/8"	1/4"
707 C3 K	350	320	280	300	340	370	M16x2 n°16	M16x2 n°20	440	91	210	84	3/4"	1/2"	1/4"
709 C3 K	375	340	300	330	370	400	M16x2 n°30	M16x2 n°30	470	99,5	246	84	3/4"	1/2"	1/4"
710 C3 K	375	340	300	350	400	435	M16x2 n°30	M16x2 n°30	455	91	243	84	3/4"	1/2"	1/4"
710 C2 K	370	340	300	402	440	470	M16x2 n°30	M16x2 n°22	474	98.5	223	94	1"	1/2"	1/4"
713 C2 K	450	410	360	410	455	490	M24x3 n°18	M20x2.5 n°22	500	106	265	84	3/4"	1/2"	1/4"
713 C3 K	480	440	380	410	455	490	M24x3 n°18	M20x2.5 n°24	570	100	287	90	1"	1/2"	1/4"
715 C3 K	500	460	420	460	510	550	M20x2.5 n°24	M20x2.5 n°24	605	130	315	90	1"	1/2"	1/4"

Track drive for excavators from 60 to 150 tons.



F & 700CK Travel Drives

Extreme compactness, lightweight associate to efficiency and smooth operation are the key features of the 700CK series and the F series track drives which is part of the Bonfiglioli O&K Antriebstechnik product range.

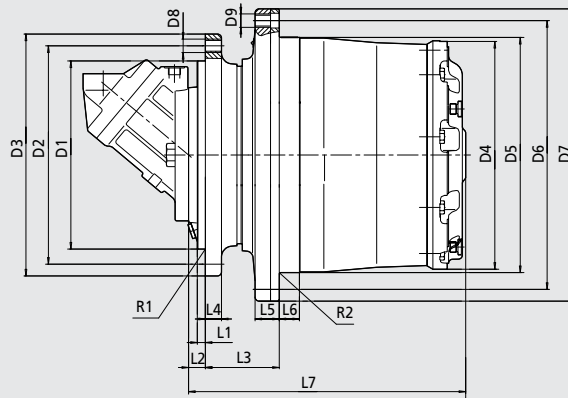
Track drive can be supplied also with hydraulic motors according to customer specs.

Type	Output torque (Nm)
F130	130000
718 C3 K	160000
F180	180000
F220	220000
720 C3 K	240000
F280	280000

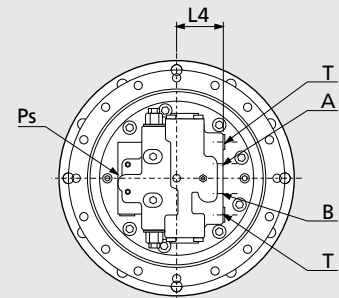
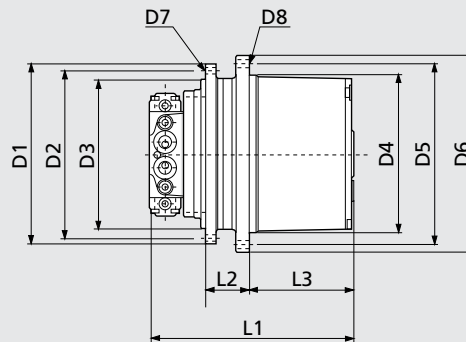
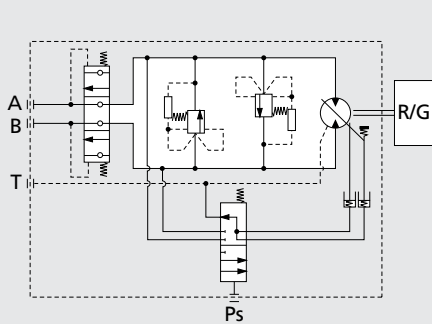


TYPE	RATIOS	MOTOR DISPLACEMENT	MAX PRESSURE	MAX OIL FLOW	WEIGHT	APPROX. WEIGHT OF MACHINE
	1:	cc/rev	bar	l/min	kg	ton
F130	69-206	107-180	400	500	450	50 ÷ 70
718 C3 K	85-106	340	345	500	850*	60 ÷ 80
F180	206-281	160-180	400	500	630	70 ÷ 90
F220	97-345	107-180	400	500	740	90 ÷ 120
720 C3 K	120	340	345	500	1000*	up to 120
F280	201	250	400	500	1040	120 ÷ 150

* With hydraulic motor



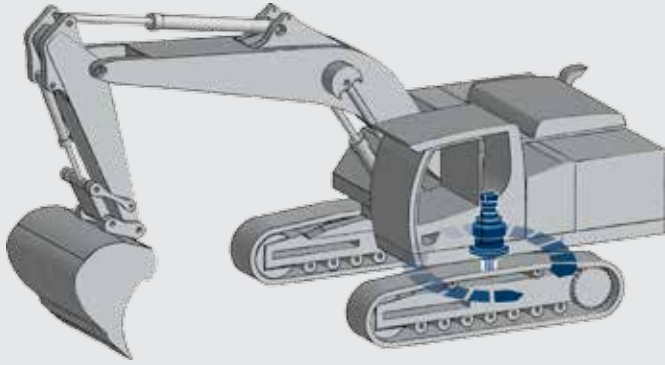
TYPE	L1	L2	L3	L4	L5	L6	L7	R1	R2	D1	D2	D3	D4	D5	D6	D7	D8	D9	Qty. D8/D9
F130	45	45	190	35	58	45	530	25	4	390	500	550	449	450	500	550	M24x2	M24x2	32/32
F180	30	30	168	40	56	21.5	534.5	4	3	450	510	560	528	535	600	650	M24x2	M27x2	30/30
F220	18	52	166.5	40	61	35	580.5	35° 16/16	4	460	600	650	540	542	600	650	M24x2	M24x2	38/38
F280	52	125	125	40	65	45	627	18° 50/5	4	530	630	685	608	610	685	740	M30x3.5	M30x3.5	28/28



TYPE	D1	D2	D3	D4	D5	D6	D7	D8	L1	L2	L3	L4	A-B	T	PS
718 C3 K	570	510	450	576	626	670	M24x3 n°30	M24x3 n°30	730	170	350	118	1"	3/4"	1/4"
720 C3 K	650	600	480	610	680	735	M30x3.5 n°30	M24x3.5 n°24	800	170	370	118	1"	3/4"	1/4"

Slew drive for excavators

from 7 to 150 tons.



700T & 700TK

Slew drive gearmotors

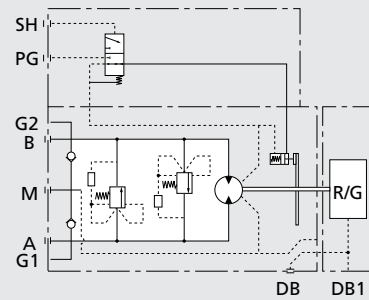
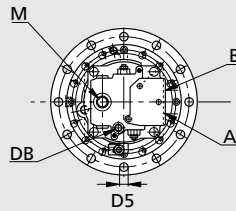
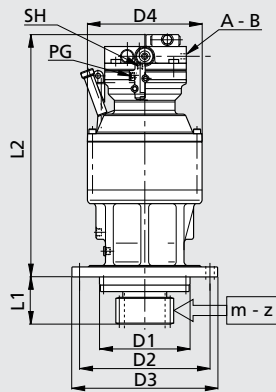
The 700T series & 700TK series are the compact and yet powerful package for the slew drive of excavators up to approx. 150 ton class.

The units are powered by integrated axial piston hydraulic motors, developed in cooperation with KAYABA and other hydraulic manufacturers, it can be accommodated within the smallest space. Wide choice of drive pinions, standard or to customer specs.

Type	Output torque (Nm)
703 T2 K	2500
705 T2 K	5000
706 T2 K	7500
707 T2 F	9000
709 T2 F	11000
710 T2 F	15000
711 T2 F	24000
713 T2 F	30000



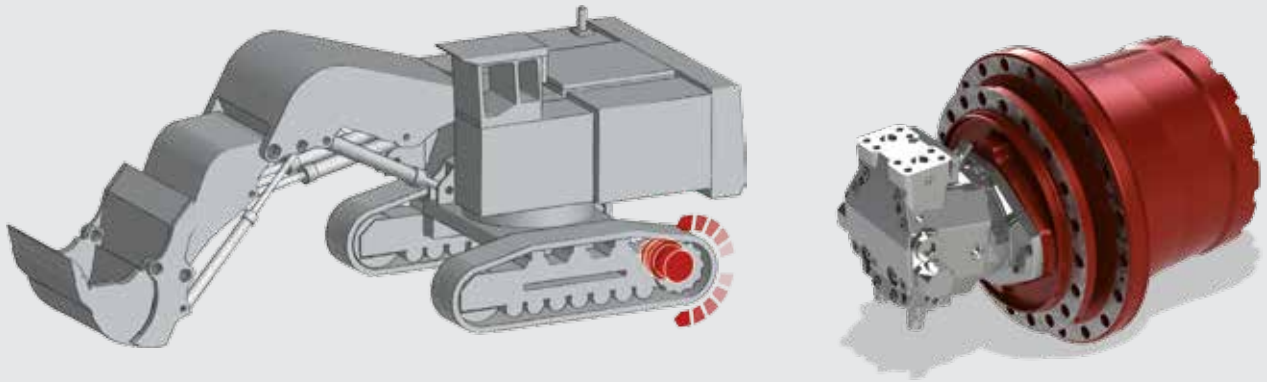
TYPE	GEARBOX	RATIOS	MOTOR TYPE	MOTOR DISPLACEMENT	MAX PRESSURE	MAX OIL FLOW	PINION MODULE	APPROX. WEIGHT OF MACHINE
	nbr	1:	KAYABA or KAWASAKI	cc/rev	bar	l/min	mm	ton
703 T2 K	1	21-23	MSF44P	44	220	80	8	6 ÷ 8
705 T2 K	1	19-26	MSF44P	44	260 ÷ 280	110 ÷ 120	10	8 ÷ 12
706 T2 K	1	15-17-23	MSF85P	85	260 ÷ 280	140 ÷ 150	10-12	12 ÷ 18
707 T2 F	1	17-25	M5X130	100-130	260 ÷ 280	140 ÷ 150	10-12	18 ÷ 21
709 T2 F	1	19-25	M5X180	130-160-180	270 ÷ 290	180 ÷ 240	12-14	21 ÷ 26
710 T2 F	1	22-26	M5X180	160-180	270 ÷ 290	250	14	26 ÷ 30
711 T2 F	1	21-25	M2X210	210	270 ÷ 290	290	14-16	30 ÷ 35
709 T2 F	2	19-25	M5X180	130-160-180	270 ÷ 290	180 ÷ 240	12-14	35 ÷ 45
710 T2 F	2	22-26	M5X180	160-180	270 ÷ 290	250	16	45 ÷ 60
711 T2 F	2	21-25	M2X210	210	270 ÷ 290	290	18	60 ÷ 80
713 T2 F	2	25-35	M5X180	160-180	270 ÷ 290	270	20	80 ÷ 120



TYPE	D1	D2	D3	D4	D5	L1	L2	A-B	DB	M	SH	PG	m	z
703 T2 K - 27	175	245	272	244	∅ 18 n°10	120	330	Main port	Drain port	Anticavitation port	Spool operating port	Brake release port	Data of teeth of pinion upon request	z
705 T2 K - 44	230	245	272	244	∅ 18 n°10	120	420							
706 T2 K - 63	230	332	372	292	∅ 22 n°10	150	580							
706 T2 K - 85	270	332	372	292	∅ 22 n°10	150	615							
707 T2 K - 85	-	360	410	348	∅ 22 n°12	160	580							
707 T2 F	-	360	410	348	∅ 22 n°12	160	580							
709 T2 F	270	360	410	348	∅ 22 n°12	160	t.b.d.							
710 T2 F	390	460	510	400	∅ 22 n°12	160	t.b.d.							
711 T2 F	370	470	520	430	∅ 22 n°12	160	t.b.d.							
713 T2 F	550	600	660	445	∅ 26 n°24	350	t.b.d.							

Track drive for mining excavators

from 150 to 1400 tons.



F Travel Drives

Extreme compactness, lightweight, efficiency and smooth operation are the key features of the F series track drives dedicated to mining excavators.

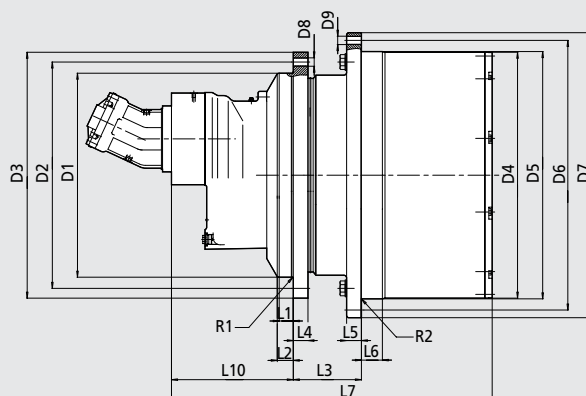
The F series is part of the Bonfiglioli O&K Antriebstechnik product range.

Type	Output torque * (Nm)
F360	360000
F420	420000
F620	620000
F800	800000
F1100	1100000
F1300	1300000
F1800	1800000
F2200	2200000
F3000	3000000

* Stated torques are peak values for short duration



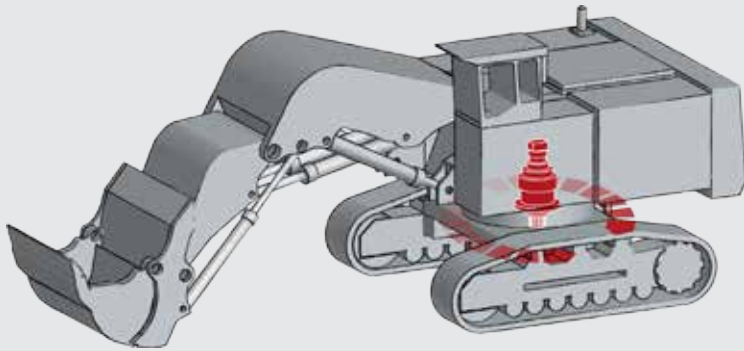
TYPE	RATIOS	MOTOR DISPLACEMENT	MAX PRESSURE	MAX OIL FLOW	WEIGHT	APPROX. WEIGHT OF MACHINE
	1:	cc/rev	bar	l/min	kg	ton
F360	94-490	355	350-400	500-750	1080	150-180
F420	259	(2x) 160	350-400	500-750	1500	180-220
F620	249-462	(2x) 250-(1x) 500	350-400	500-750	2897	220-300
F800	283-298	(2x) 250-(2x) 280	350-400	500-750	3764	300-400
F1100	406	(2x) 250-(2x) 280	350-400	500-750	7220	400-500
F1300	461	(2x) 250	350-400	500-750	7400	500-600
F1800	656-744	(2x) 250-(2x) 280	350-400	500-750	7500	600-800
F2200	552-989	(2x) 355	350-400	500-750	10736	800-1000
F3000	699	(2x) 250-(2x) 280	350-400	500-750	11500	1200-1400



TYPE	L1	L2	L3	L4	L5	L6	L7	L10	R1	R2	D1	D2	D3	D4	D5	D6	D7	D8	D9	Qty. D8/D9
F360	100	100	130	40	60	80	658	-	18°/100/16	10	580	680	735	649	650	720	775	M30x3.5	M30x3.5	30/30
F420	60	132	130	40	60	80	1026	-	10	10	660	744	795	670	674	744	795	M30x2	M30x2	42/42
F620	50	57.5	245	52.5	53	75	1232	341	4	-	730	810	880	880	885	965	1020	M30x2	M30x2	41/48
F800	20	25	229	60	58	170	1315	713	6	8	830	980	1050	916	920	976	1055	M30x2	M30x2	48/48
F1100	57	60	503	74	-	-	1483	713	10	6	1110	1230	1310	1116	-	1170	1226	M36x4	M30x3.5	48/52
F1300	57	60	503	74	-	-	1623	395.5	10	6	1110	1230	1310	1116	1100	1170	1226	M36x4	M30x3.5	48/52
F1800	54	60	310	74	107	191.5	1839.5	615.5	10	10	1110	1230	1310	1224	1250	1350	1430	M36x1.5	M42x2	48/40
F2200	60	70	343	80	100	80	1846	591	10	10	1288	1400	1500	1224	1230	1320	1400	M42x3	M42x3	50/48
F3000	60	70	343	80	100	80	2000	606	10	10	1288	1400	1500	1224	1230	1320	1400	M42x3	M42x3	50/48

Slew drive for mining excavators

from 140 to 1400 tons.



S Slew drives

The S series is the compact and yet powerful package for the slew drive of mining excavators up to approx. 1400 tons class. Wide choice of drive pinions, standard or to customer specs. The S series is part of the Bonfiglioli O&K Antriebstechnik product range.

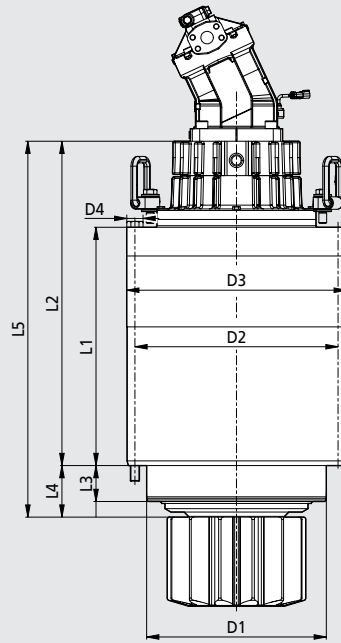
Type	Output torque * (Nm)
S54	54000
S60	62000
S130	130000

* Stated torques are peak values for short duration



TYPE	RATIOS	BRAKING TORQUE	BRAKE RELEASE PRESSURE	WEIGHT	APPROX. WEIGHT OF MACHINE
	1:	Nm	bar	kg	kg
S54	48	1200	38	867	150-220 (2x) 220-400 (3x) 400-600 (4x) 600-800 (5x) 800-1000 (6x)
S60	62	1200	38	1036	700-900 (4x)
S130	67	2300	22.5	2276	1200-1400 (4x)

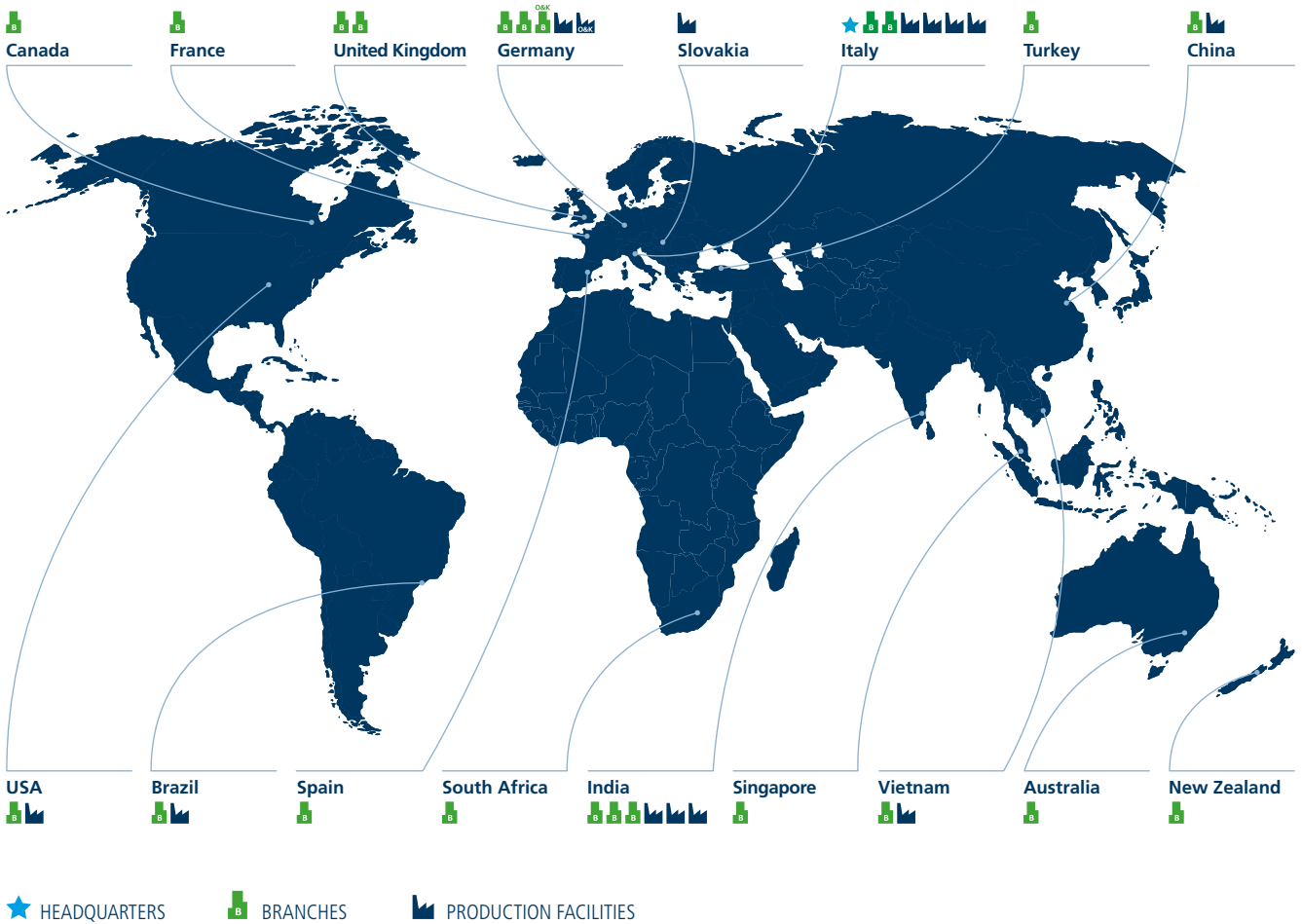
* Hydraulic motor connection on demand



TYPE	L1	L2	L3	L4	L5	D1	D2	D3	D4
S54	610	780	40	87	917	460	520	562	24x26
S60	610	830	92	132	962	460	520	562	24x24
S130	578	876	95	160	1044	630	675	715	34x26

Bonfiglioli Worldwide Presence

Bonfiglioli is located in regions and countries around the world that enable us to provide faster sales and service to customers.
We are around the world, and around the corner.



LOCAL SUPPORT



SALES, CUSTOMER SERVICE, WARRANTY,
TECH SUPPORT, SPARE PARTS

22 BRANCH OFFICES IN 16 COUNTRIES



WORLDWIDE DISTRIBUTION NETWORK



Bonfiglioli Worldwide Locations

Bonfiglioli Australia

www.bonfiglioli.com.au
2, Cox Place Glendenning NSW 2761
Locked Bag 1000 Plumpton NSW 2761
Tel. (+ 61) 2 8811 8000 - Fax (+ 61) 2 9675 6605

Bonfiglioli Brasil

www.bonfigliolidobrasil.com.br
Travessa Cláudio Armando 171
Bloco 3 - CEP 09861-730 - Bairro Assunção
São Bernardo do Campo - São Paulo
Tel. (+55) 11 4344 2323 - Fax (+55) 11 4344 2322

Bonfiglioli Canada

www.bonfigliolicanada.com
2-7941 Jane Street - Concord, Ontario L4K 4L6
Tel. (+1) 905 7384466 - Fax (+1) 905 7389833

Bonfiglioli China

www.bonfiglioli.cn
Bonfiglioli Drives (Shanghai) Co., Ltd.
#68, Hui-Lian Road, QingPu District,
201707 Shanghai
Ph. (+86) 21 6700 2000 - Fax (+86) 21 6700 2100

Bonfiglioli Deutschland

www.bonfiglioli.de
Industrial, Mobile, Wind
Sperberweg 12 - 41468 Neuss
Tel. +49 (0) 2131 2988 0 - Fax +49 (0) 2131 2988 100
Industrial
Europark Fichtenhain B6 - 47807 Krefeld
Tel. +49 (0) 2151 8396 0 - Fax +49 (0) 2151 8396 999
O&K Antriebstechnik
Ruhrallee 8-12 - 45525 Hattingen
Tel. +49 (0) 2324 2050 1 - Fax +49 (0) 2324 2054 29

Bonfiglioli España

www.tecnotrans.bonfiglioli.com/es-es/
Industrial, Mobile, Wind
Tecnotrans Bonfiglioli S.A.
Pol. Ind. Zona Franca sector C, calle F, nº6
08040 Barcelona
Tel. (+34) 93 4478400 - Fax (+34) 93 3360402

Bonfiglioli France

www.bonfiglioli.fr
14 Rue Eugène Pottier
Zone Industrielle de Moimont II - 95670 Marly la Ville
Tel. (+33) 1 34474510 - Fax (+33) 1 34688800

Bonfiglioli India

www.bonfiglioli.in
Bonfiglioli Transmissions Pvt. Ltd.
Plot No. AC7-AC11, SIDCO Industrial Estate,
Thirumudivakkam - 600 044 Chennai
Tel.: +91 44 2478 1035

Bonfiglioli Italia

www.bonfiglioli.it
Headquarters
Bonfiglioli Riduttori S.p.A.
Via Giovanni XXIII, 7/A
Lippo di Calderara di Reno - 40012 Bologna
Tel. +39 051 647 3111 - Fax +39 051 647 3126
Mobile, Wind
Via Enrico Mattei, 12 Z.I. Villa Selva - 47100 Forlì
Tel. +39 0543 789111 - Fax +39 0543789242
Industrial
Via Bazzane, 33/A - 40012 Calderara di Reno (BO)
Tel. +39 051 6473111 - Fax +39 051 6473330
Industrial
Via Trinità, 1 - 41058 Vignola (MO)
Tel. +39 059 768511 - Fax +39 059 768522
Industrial
Via Sandro Pertini lotto 7b - 20080 Carpiano (Milano)
Tel. (+39) 02 985081 - Fax (+39) 02 985085817
Bonfiglioli Mechatronic Research
Via F. Zeni 8 - 38068 Rovereto (Trento)
Tel. (+39) 0464 443435/36 - Fax (+39) 0464 443439

Bonfiglioli New Zealand

www.bonfiglioli.co.nz
88 Hastie Avenue, Mangere Bridge, 2022 Auckland
PO Box 11795, Ellerslie
Tel. (+64) 09 634 6441 - Fax (+64) 09 634 6445

Bonfiglioli South East Asia

www.bonfiglioli.com
24 Pioneer Crescent #02-08
West Park Bizcentral - Singapore, 628557
Tel. (+65) 6268 9869 - Fax. (+65) 6268 9179

Bonfiglioli South Africa

www.bonfiglioli.co.za
55 Galaxy Avenue, Linbro Business Park - Sandton
Tel. (+27) 11 608 2030 OR - Fax (+27) 11 608 2631

Bonfiglioli Türkiye

www.bonfiglioli.com.tr
Atatürk Organize Sanayi Bölgesi, 10007 Sk. No. 30
Atatürk Organize Sanayi Bölgesi, 35620 Çiğli - İzmir
Tel. +90 (0) 232 328 22 77 (pbx) - Fax +90 (0) 232 328 04 14

Bonfiglioli United Kingdom

www.bonfiglioli.co.uk
Industrial
Unit 7, Colemeadow Road
North Moons Moat - Redditch, Worcestershire B98 9PB
Tel. (+44) 1527 65022 - Fax (+44) 1527 61995
Mobile, Wind
3 - 7 Grosvenor Grange, Woolston
Warrington - Cheshire WA1 4SF
Tel. (+44) 1925 852667 - Fax (+44) 1925 852668

Bonfiglioli USA

www.bonfiglioliusa.com
3541 Hargrave Drive Hebron, Kentucky 41048
Tel. (+1) 859 334 3333 - Fax (+1) 859 334 8888

Bonfiglioli Vietnam

www.bonfiglioli.vn
Lot C-9D-CN My Phuoc Industrial Park 3
Ben Cat - Binh Duong Province
Tel. (+84) 650 3577411 - Fax (+84) 650 3577422



We have a relentless commitment to excellence, innovation and sustainability. Our team creates, distributes and services world-class power transmission and drive solutions to keep the world in motion.



HEADQUARTERS

Bonfiglioli Riduttori S.p.A.
Via Giovanni XXIII, 7/A
40012 Lippo di Calderara di Reno
Bologna (Italy)
tel: +39 051 647 3111
fax: +39 051 647 3126
bonfiglioli@bonfiglioli.com
www.bonfiglioli.com